

SID-600P

Anti vandal fixed dome camera
with Zoomlens (x12 optical)



The SID-600P is the first motor zoom camera with Picture-in-Picture (PIP).

The new anti vandal fixed dome camera is ideal for use in banks, retail stores, commercial buildings, prisons and industrial settings.

It is designed to withstand intentional or accidental impact or vandalism.

IP 66 and shockproof design. The SID-600P is an advanced surveillance device that enables 12 x optical zoom lens and x10 digital zoom.

The camera can be controlled via RS 485 remotely.

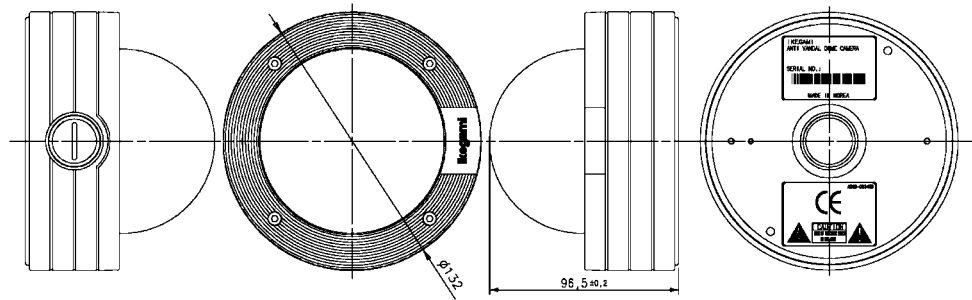
It offers clear screen quality with 480 lines of horizontal resolution.

SID-600P Anti vandal fixed dome camera

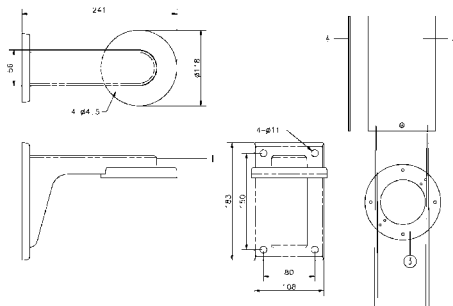
Specifications

Pickup device	1/4 inch It CCD
Picture elements	768 (H) x 494 (H) PAL: 440.000 pixels
Sync system	Internal/Line lock
Horizontal Resolution	480 TV lines
Video output	VBS 1Vp-p/75 ohms, BNC
S/N ratio	50dB
Minimum illumination	1lx(30IRE), 0.008lx(sense up x 128/Integration)
Electronic shutter	OFF, ~1/10.000 sec
Back light compensation	ON/OFF/SPOT switchable
Sensitivity up	Max. x 128 (Auto/Fix/Off)
Motion detection	ON/OFF (Area/Sensitivity setting)
Video control	Posi/Nega, Mirror, Detail setting
Focus	AF/One AF/Manual
Lens	Focal length: 3.6 ~ 43.2 mm X120 (12 x optical zoom, 10 x digital zoom PIP (location setting))
Camera ID	Built in 1 line, 12 characters (location setting)
Camera connection	Video out, Camera power, RS485 (half duplex), Alarm out/Relay
Ambient temperature	-10 °c ~ +50 °c
Housing Protection	IP 66
Power requirement	AC 24V / DC 12V ± 10 %
Power consumption	Approx. 6 W
Weight	Approx. 800 g
Dimensions	132(φ) x 95.3 mm

Drawings SID 600P

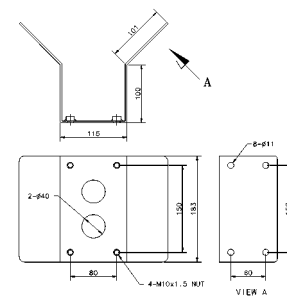


Wall mount¹⁾



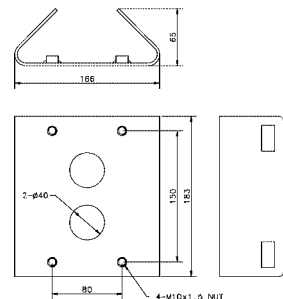
¹⁾ Available as option.

Corner mount²⁾



²⁾ Available on request.

Pole mount²⁾



Ikegami Electronics (Europe) GmbH

Ikegamistr. 1, D-41460 Neuss, Germany

Phone: +49-(0)2131-123-0 , Fax: +49-(0)2131-102820, E-Mail: info@ikegami.de, Web: www.ikegami.de

Ikegami Electronics UK

Unit E1, Cologne Court, Brooklands Close, Sunbury on Thames, Middlesex TW16 7EB, UK

Phone: +44-(0)1932-769700, Fax: +44-(0)1932-769710, E-Mail: sales@ikegami.co.uk, Web: www.ikegami.co.uk

Ikegami Electronics, Denmark Office

Frederikssundsvej 266, 2700 Broenshoej, Denmark

Phone: +45-3880 9903 , Fax: +45-3881 9903, E-Mail: support@ikegami.dk, Web: www.ikegami.dk

24938-PP-9.03-3000