

PAL 1/3" CCD Medium Resolution Colour Camera



Specifications

Sensor:	1/3" Sony Hyper HAD™ CCD with micro-lens over each pixel.
Effective Pixels:	500 (H) x 582 (V)
Sensitivity:	0.9 lux. For usable picture with lens at f1.2 with AGC (80% scene reflectance).
Resolution:	330 TVL
Video Output:	1V p-p composite video via 75Ω BNC connector on the rear of the camera. PAL: 625 lines 50 fields per second 2:1 interlace. NTSC: 525 lines 60 fields per second 2:1 interlace
Signal to Noise Ratio:	Better than 48dB.
White Balance:	Auto Tracing, Indoor, Outdoor, Flourescent selectable via dip switches
AGC:	Built in 28dB.
Electronic Iris:	1/50s – 1/100,000s. Selectable On/Off via dip switches.
Backlight Compensation:	BLC selectable On/Off Via dip switches. Weighted to centre third of screen.
Gamma Correction:	User-selectable 1.0 (linear) or 0.45 (normal) via a dip switch.
Sync System:	Line lock. The option to switch to internal synchronisation is provided via a dip switch. In line-lock the setting of the V phase can be set to fixed or adjustable.
Adjustable V phase:	The line lock vertical phase may be adjusted by $\pm 120^\circ$.

Lens Options:

Manual: Any 'C' or 'CS' mount 1/3", 1/2", 2/3" or 1" lens

Auto Iris (video drive): Via 3 terminal, spring loaded, quick release connector at rear of camera.

Auto Iris (DC drive): 4-pin square type socket on the side of the camera. DC level is user defined via a potentiometer located next to the socket.

Power Supply: CDSP9311: 230V AC \pm 10% 50Hz
CDSP9311/LV: 12-30V AC \pm 10% 11-40V DC \pm 10%

Input Power Isolation: Fully isolated power supply.

Power Consumption: less than 5W.

Mechanical Specifications:

Lens Mount: C/CS via racking back focus mechanism with two adjustment points (top and side).

Camera Mount: 1/4"-20 UNC or 1/4" BSW (top and bottom).

Dimensions: 122.5 (L) x 59.5 (H) x 65.5 (W) mm.

Weight: 0.6 Kg

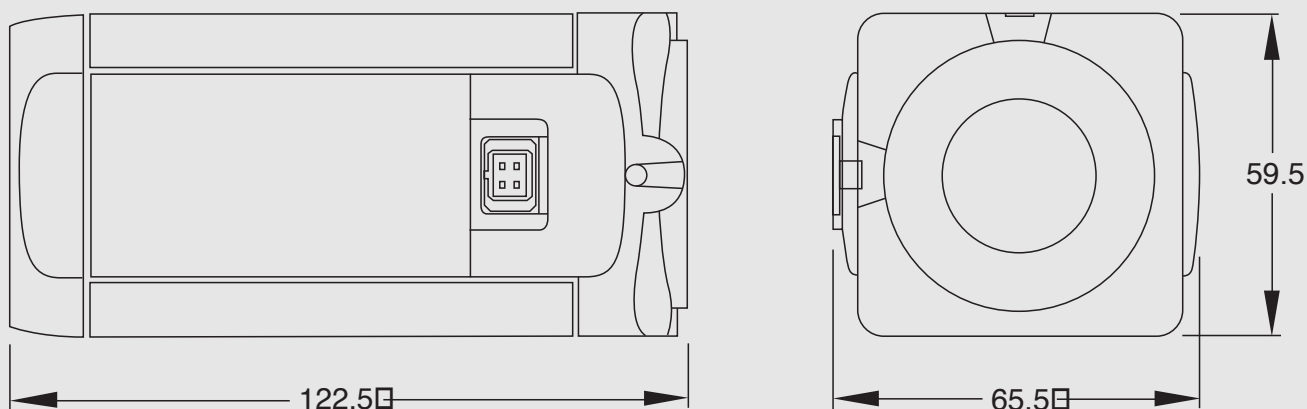
Material: Die-cast zinc lens mount. Extruded aluminium body. Flame retardant ABS plastic front trim, rear bezel and door.

Environmental (Temperature and Humidity):

Operating: Temperature: -10 to +50°C (14 to 122°F)
Humidity: 20% to 80% relative humidity, non condensing.

Storage: Temperature: -10 to +70°C (14 to 158°F)
Humidity: 20% to 90% relative humidity, non condensing.

Physical Dimensions



The Manufacturer reserves the right to alter price or specification without prior notice
Hyper HAD™ is a trademark of the Sony Corporation

Baxall Limited, Horsfield Way, Bredbury Industrial Estate, Stockport SK6 2SU UK.

Telephone: +44 (0) 161 406 6611 Fax: +44 (0) 161 406 8988 e-mail: sales@baxall.com Support@baxall.com info@baxall.com Web: www.baxall.com